

575-3800MHz N TYPE DIRECTIONAL COUPLER



Telecommunication Technology & Engineering Accessories

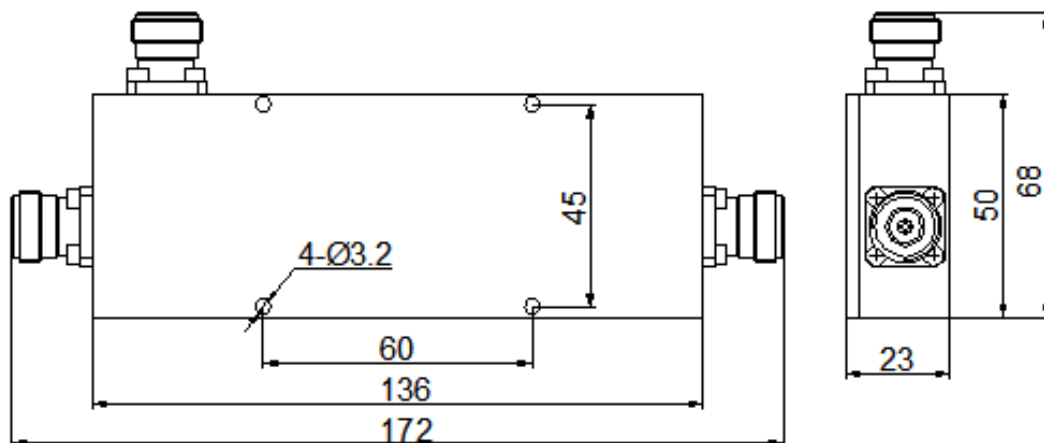
Rev.V1.2

575-3800MHz N Type Air Dielectric Directional Coupler:

Item	Specification									
Model	DC-538-300-XCNI									
Frequency Range	575-3800MHz									
Coupling(dB)	3±0.8	5±1.0	6±1.0	8±1.0	10±1.0	13±1.0	15±1.0	20±1.0	30±1.0	40±1.5
Insertion loss	3.6 dB	2.3 dB	1.8 dB	1.1 dB	0.8 dB	0.5 dB	0.5 dB	0.4 dB	0.3 dB	0.3 dB
VSWR	1.25:1									
Directivity	20dB@575-3600MHz / 18dB@3600-3800MHz									
Intermodulation	-155dBc@2x43dBm *									
Average Power	300 W									
Impedance	50(Ω)									
Connector	N/Female									
Temperature Range	-35 - +85(°C)									
Housing Finish Color	Black / Gray / Gold / Frosted Matte Black									
Applications	Indoor/Outdoor Use , IP65 , RoHS Compliant									

* The PIM value is reflect @ 900MHz and 1800MHz

Product Drawing:



Note: The drawing only for reference, please make the object as the standard.



All specifications are subject to change without notice.

©2019 TONE SPREAD TECHNOLOGY CO., LTD. All Rights Reserved.

Website <http://www.tspd.com.tw>

ADD:11169 2F,No 141,Fu-Gang St. Taipei ,Taiwan

TEL: +886-2-28828979

FAX: +886-2-28829196

E-mail: sales@tspd.com.tw

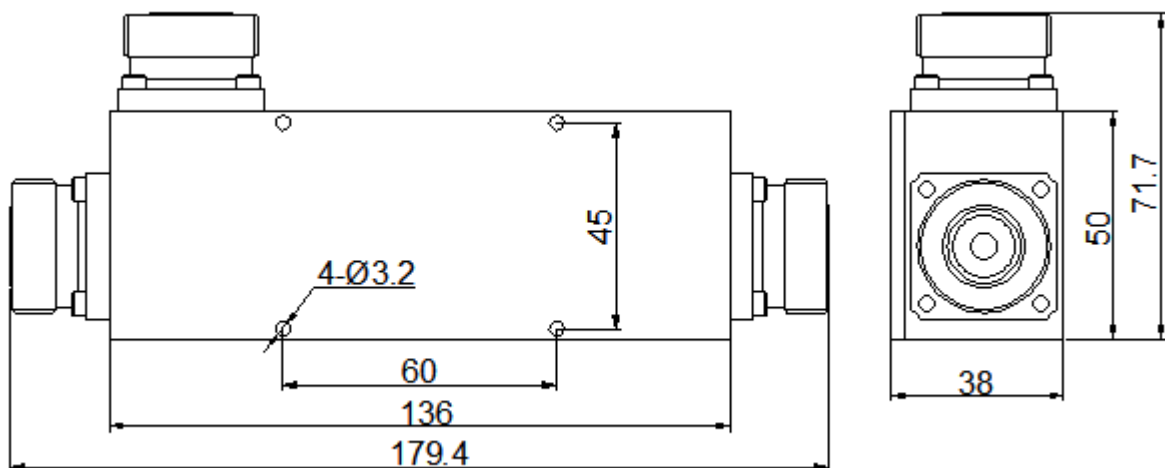
575-3800MHz DIN TYP DIRECTIONAL COUPLER

575-3800MHz 7/16(DIN) Type Air Dielectric Directional Coupler:

Item	Specification									
Model	DC-538-300-XCDI									
Frequency Range	575-3800MHz									
Coupling(dB)	3±0.8	5±1.0	6±1.0	8±1.0	10±1.0	13±1.0	15±1.0	20±1.0	30±1.0	40±1.5
Insertion loss	3.6 dB	2.3 dB	1.8 dB	1.1 dB	0.8 dB	0.5 dB	0.5 dB	0.4 dB	0.3 dB	0.3 dB
VSWR	1.25:1									
Directivity	20dB@575-3600MHz / 18dB@3600-3800MHz									
Intermodulation	-155dBc@2x43dBm *									
Average Power	300 W									
Impedance	50(Ω)									
Connector	7/16(DIN)/Female									
Temperature Range	-35 - +85(°C)									
Housing Finish Color	Black / Gray / Gold / Frosted Matte Black									
Applications	Indoor/Outdoor Use , IP65 , RoHS Compliant									

* The PIM value is reflect @ 900MHz and 1800MHz

Product Drawing:



Note: The drawing only for reference, please make the object as the standard.



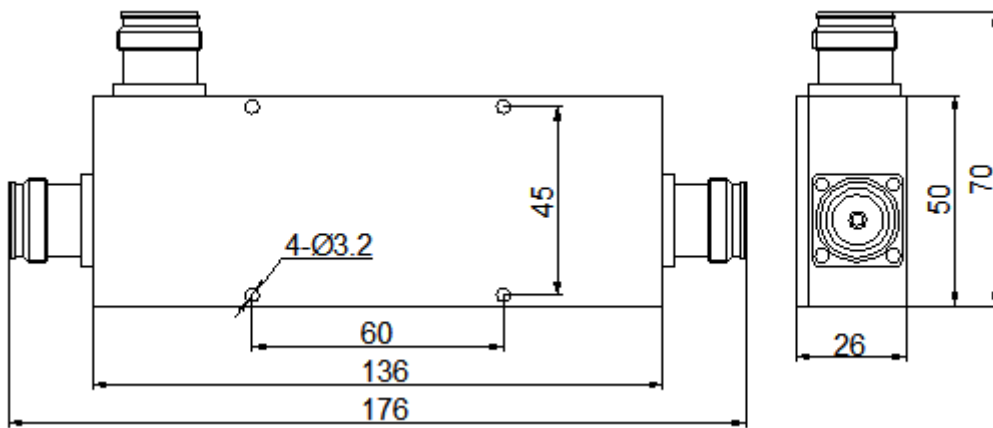
575-3800MHz 4.3/10 TYPE DIRECTIONAL COUPLER

575-3800MHz 4.3/10 Type Air Dielectric Directional Coupler:

Item	Specification									
Model	DC-538-300-XC43MDI									
Frequency Range	575-3800MHz									
Coupling(dB)	3±0.8	5±1.0	6±1.0	8±1.0	10±1.0	13±1.0	15±1.0	20±1.0	30±1.0	40±1.5
Insertion loss	3.6 dB	2.3 dB	1.8 dB	1.1 dB	0.8 dB	0.5 dB	0.5 dB	0.4 dB	0.3 dB	0.3 dB
VSWR	1.25:1									
Directivity	20dB@575-3600MHz / 18dB@3600-3800MHz									
Intermodulation	-155dBc@2x43dBm *									
Average Power	300 W									
Impedance	50(Ω)									
Connector	4.3/10 MINI DIN/Female									
Temperature Range	-35 - +85(°C)									
Housing Finish Color	Black / Gray / Gold / Frosted Matte Black									
Applications	Indoor/Outdoor Use , IP65 , RoHS Compliant									

* The PIM value is reflect @ 900MHz and 1800MHz

Product Drawing:



Note: The drawing only for reference, please make the object as the standard.

